

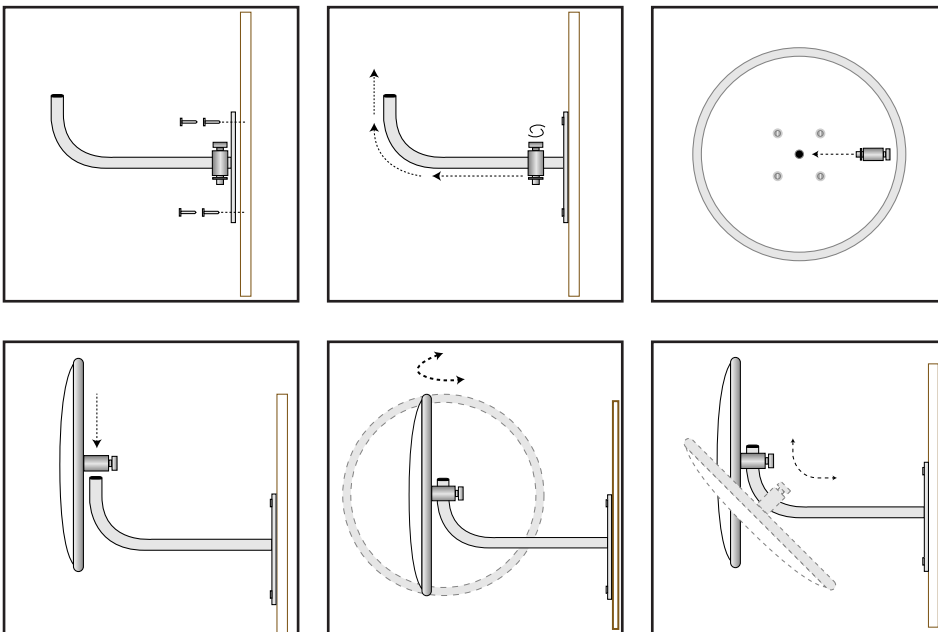


DuraVision™ Convex Mirror Installation Guide:



Heavy Duty Acrylic

1. Decide the appropriate place to site the mirror to give maximum vision.
2. Fix J-Bracket to wall or ceiling using suitable fixing hardware (ie: screws, bolts). Allowing enough room to get the mirror on to the J-Bracket.
3. Thread adaptor into the back of the mirror
4. Slide the adaptor and mirror over the J-Bracket and adjust mirror to the desired position.
5. Tighten the locking bolt on the adaptor securely.
6. Remove Protective Film.



Installation Guides:

- ▶ Indoor Standard Convex Mirror
- ▶ Indoor Space Saver Convex Mirror
- ▶ Indoor Ceiling Dome Convex Mirror
- ▶ Indoor Half Dome Convex Mirror
- ▶ Indoor Quarter Dome Convex Mirror
- ▶ [Outdoor Heavy Duty Convex Mirror](#)
- ▶ Outdoor De Luxe Convex Mirror
- ▶ Outdoor Pro Series Convex Mirror
- ▶ Inspection Convex Mirrors
- ▶ Food Processing Convex Mirrors
- ▶ School Mirror Set
- ▶ Corrections Dome With Frame
- ▶ Corrections Half Dome With Frame
- ▶ Corrections Quarter Dome With Frame

Cleaning Guides:

- ▶ Acrylic Mirror
- ▶ Stainless Steel Mirror
- ▶ Polycarbonate Mirror

DuraVision™ Mirror Systems

Find our more about the great range of DuraVision Mirror Systems at our website...



www.duravision.net



DuraVision™ Convex Mirror Installation Guide:

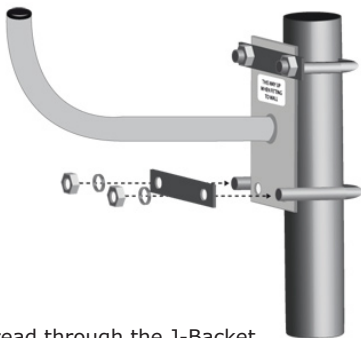


Optional U-Bolt Pack

U-Bolts are not included with the Heavy Dty Mirror Range but are available in two sizes for mounting to a 60mm or 75mm pole.

Mounting 300mm - 760mm Diameter Mirrors with U-Bolts:

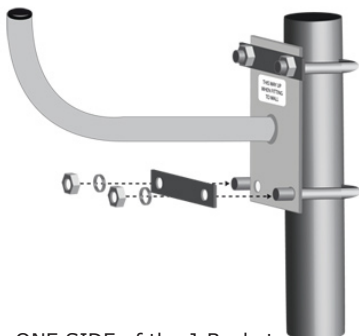
1. Thread the U-Bolts **around** the J-Bracket and through the U-Bolt Flat plate.
2. Thread the washer and nut onto the U-Bolt and tighten.
3. Follow steps 2 - 6 on the previous page to position the mirror face.



U-Bolt does NOT thread through the J-Bracket

Mounting 900mm - 1200mm Diameter Mirrors with U-Bolts:

1. Thread the U-Bolts through **one side** of the J-Bracket and then through both sides of the U-Bolt Flat plate.
2. Thread the washer and nut onto the U-Bolt and tighten.
3. Follow steps 2 - 6 on the previous page to position the mirror face.



U-Bolt threads through ONE SIDE of the J-Bracket

Installation Guides:

- ▶ Indoor Standard Convex Mirror
- ▶ Indoor Space Saver Convex Mirror
- ▶ Indoor Ceiling Dome Convex Mirror
- ▶ Indoor Half Dome Convex Mirror
- ▶ Indoor Quarter Dome Convex Mirror
- ▶ [Outdoor Heavy Duty Convex Mirror](#)
- ▶ Outdoor De Luxe Convex Mirror
- ▶ Outdoor Pro Series Convex Mirror
- ▶ Inspection Convex Mirrors
- ▶ Food Processing Convex Mirrors
- ▶ School Mirror Set
- ▶ Corrections Dome With Frame
- ▶ Corrections Half Dome With Frame
- ▶ Corrections Quarter Dome With Frame

Cleaning Guides:

- ▶ Acrylic Mirror
- ▶ Stainless Steel Mirror
- ▶ Polycarbonate Mirror

DuraVision™ Mirror Systems

Find our more about the great range of DuraVision Mirror Systems at our website...



www.duravision.net