



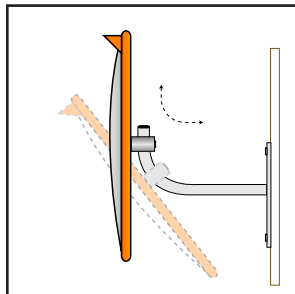
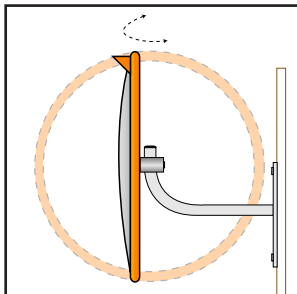
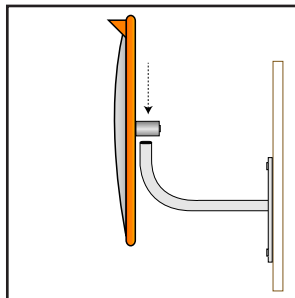
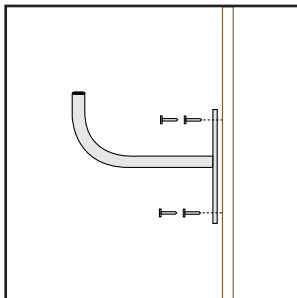
## DuraVision™ Convex Mirror Installation Guide:



### Outdoor DeLuxe Acrylic

#### **Wall Mounting with J-Bracket: (600mm Size Only)**

1. Decide the appropriate place to site the mirror to give maximum vision.
2. Fix J-Bracket to wall or ceiling using suitable fixing hardware (ie: screws, bolts). Allowing enough room to get the mirror on to the J-Bracket.
3. Slide the adaptor and mirror over the J-Bracket and adjust mirror to the desired position.
4. Tighten the Grub Screw in the adaptor securely with the supplied Allen Key.
5. Now that installation is complete, remove the protective film from the face.



### Installation Guides:

- ▶ Indoor Standard Convex Mirror
- ▶ Indoor Space Saver Convex Mirror
- ▶ Indoor Ceiling Dome Convex Mirror
- ▶ Indoor Half Dome Convex Mirror
- ▶ Indoor Quarter Dome Convex Mirror
- ▶ Outdoor Heavy Duty Convex Mirror
- ▶ [Outdoor De Luxe Convex Mirror](#)
- ▶ Outdoor Pro Series Convex Mirror
- ▶ Inspection Convex Mirrors
- ▶ Food Processing Convex Mirrors
- ▶ School Mirror Set
- ▶ Corrections Dome With Frame
- ▶ Corrections Half Dome With Frame
- ▶ Corrections Quarter Dome With Frame

### Cleaning Guides:

- ▶ Acrylic Mirror
- ▶ Stainless Steel Mirror
- ▶ Polycarbonate Mirror

### DuraVision™ Mirror Systems

Find our more about the great range of DuraVision Mirror Systems at our website...



[www.duravision.net](http://www.duravision.net)



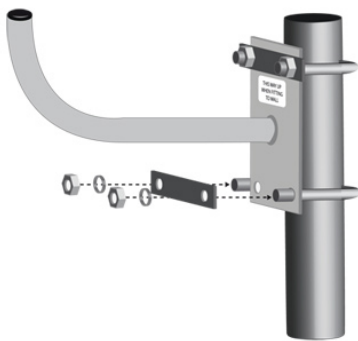
## DuraVision™ Convex Mirror Installation Guide:



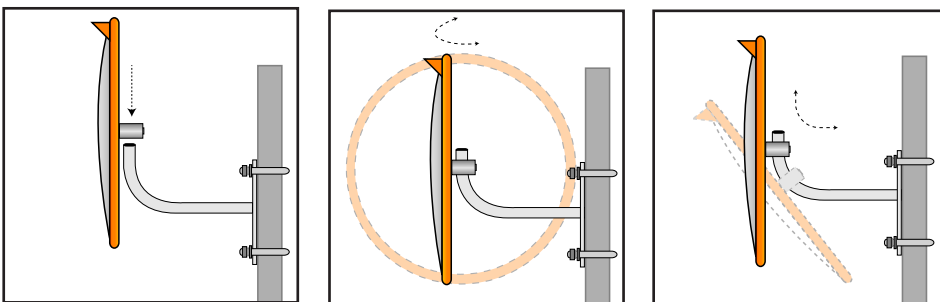
### Outdoor DeLuxe Acrylic

#### **Pole Mounting with U-Bolts: (600mm Size Only)**

1. Choose a 75mm Round pole to attach the U-Bolts to.
2. Thread the U-Bolts through one side of the J-Bracket and then through both sides of the U-Bolt Flat Plate.
3. Thread the Washer and Nut onto the U-Bolts and tighten.
4. Slide the adaptor and mirror over the J-Bracket and adjust mirror to the desired position.
5. Tighten the Grub Screw in the adaptor securely with the supplied Allen Key.
6. Now that installation is complete, remove the protective film from the face.



U-Bolt threads through ONE SIDE of the J-Bracket



### Installation Guides:

- ▶ Indoor Standard Convex Mirror
- ▶ Indoor Space Saver Convex Mirror
- ▶ Indoor Ceiling Dome Convex Mirror
- ▶ Indoor Half Dome Convex Mirror
- ▶ Indoor Quarter Dome Convex Mirror
- ▶ Outdoor Heavy Duty Convex Mirror
- ▶ [Outdoor De Luxe Convex Mirror](#)
- ▶ Outdoor Pro Series Convex Mirror
- ▶ Inspection Convex Mirrors
- ▶ Food Processing Convex Mirrors
- ▶ School Mirror Set
- ▶ Corrections Dome With Frame
- ▶ Corrections Half Dome With Frame
- ▶ Corrections Quarter Dome With Frame

### Cleaning Guides:

- ▶ Acrylic Mirror
- ▶ Stainless Steel Mirror
- ▶ Polycarbonate Mirror

### DuraVision™ Mirror Systems

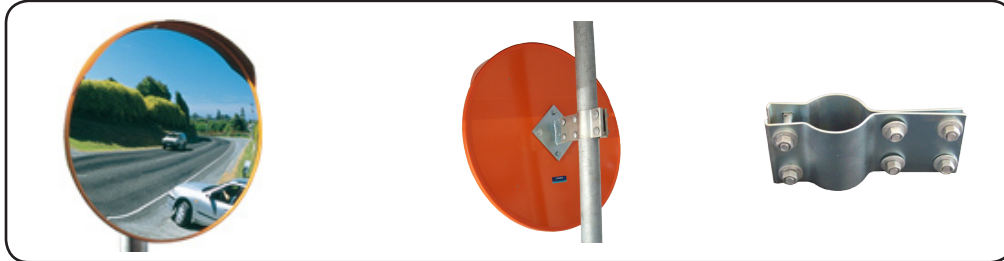
Find our more about the great range of DuraVision Mirror Systems at our website...



[www.duravision.net](http://www.duravision.net)



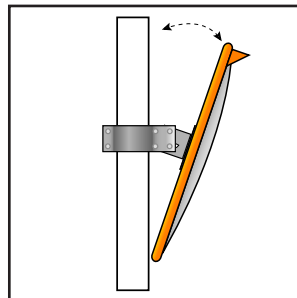
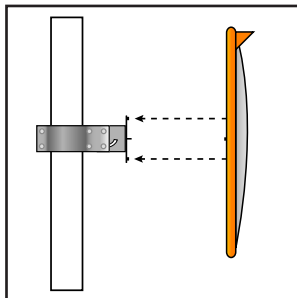
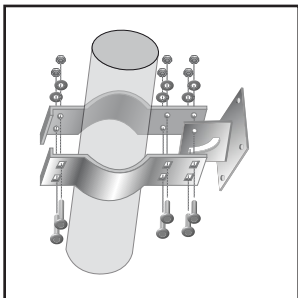
## DuraVision™ Convex Mirror Installation Guide:



### Outdoor DeLuxe Acrylic

#### **Pole Mounting with Clamp Bracket: (800mm - 1000mm Sizes Only)**

1. Decide the appropriate place to site the mirror on 75mm pole.
2. Fix clamp and mirror mount assembly to the pole.
3. Make sure adjustment slot is to the bottom
4. Fix the mirror to the clamp bracket.
5. Once the desired position has been found, tighten the bolts and nuts.
6. Now installation is complete, remove the protective film from the face.



### Installation Guides:

- ▶ Indoor Standard Convex Mirror
- ▶ Indoor Space Saver Convex Mirror
- ▶ Indoor Ceiling Dome Convex Mirror
- ▶ Indoor Half Dome Convex Mirror
- ▶ Indoor Quarter Dome Convex Mirror
- ▶ Outdoor Heavy Duty Convex Mirror
- ▶ [Outdoor De Luxe Convex Mirror](#)
- ▶ Outdoor Pro Series Convex Mirror
- ▶ Inspection Convex Mirrors
- ▶ Food Processing Convex Mirrors
- ▶ School Mirror Set
- ▶ Corrections Dome With Frame
- ▶ Corrections Half Dome With Frame
- ▶ Corrections Quarter Dome With Frame

### Cleaning Guides:

- ▶ Acrylic Mirror
- ▶ Stainless Steel Mirror
- ▶ Polycarbonate Mirror

### DuraVision™ Mirror Systems

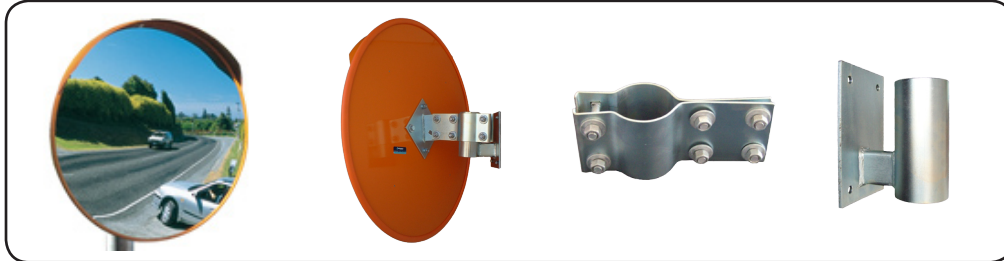
Find our more about  
the great range of  
DuraVision Mirror  
Systems at our  
website...



[www.duravision.net](http://www.duravision.net)



## DuraVision™ Convex Mirror Installation Guide:

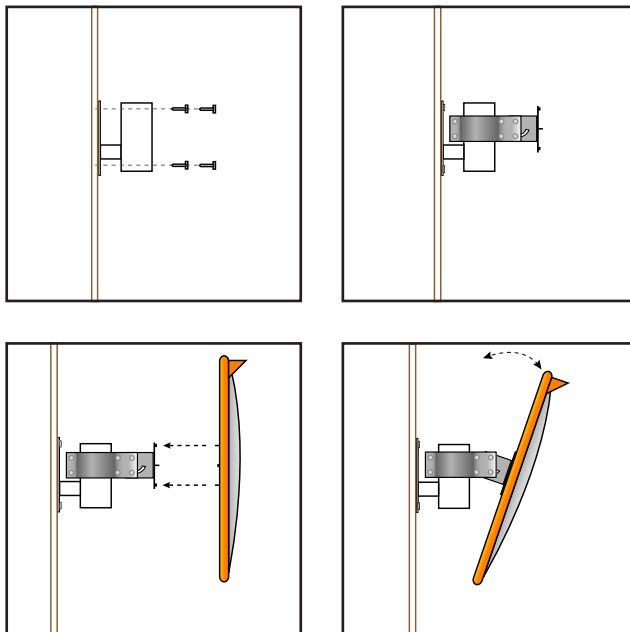


### Outdoor DeLuxe Acrylic

Wall Adaptors are not included with the DeLuxe Acrylic Mirror Range but are available to be purchased separately.

#### **Wall Mounting with Optional Wall Adaptor: (800mm - 1000mm Sizes Only)**

1. Decide the appropriate place to site the mirror (on a flat surface) and fix the Wall Adaptor using suitable hardware.
2. Fix the clamp and mirror mount assembly to the Wall Adaptor making sure the slot is to the bottom.
3. Fix the mirror face to the clamp bracket.
4. Once the desired position has been found, tighten the bolts and nuts.
5. Now that installation is complete, remove the protective film from the face.



### Installation Guides:

- ▶ Indoor Standard Convex Mirror
- ▶ Indoor Space Saver Convex Mirror
- ▶ Indoor Ceiling Dome Convex Mirror
- ▶ Indoor Half Dome Convex Mirror
- ▶ Indoor Quarter Dome Convex Mirror
- ▶ Outdoor Heavy Duty Convex Mirror
- ▶ [Outdoor De Luxe Convex Mirror](#)
- ▶ Outdoor Pro Series Convex Mirror
- ▶ Inspection Convex Mirrors
- ▶ Food Processing Convex Mirrors
- ▶ School Mirror Set
- ▶ Corrections Dome With Frame
- ▶ Corrections Half Dome With Frame
- ▶ Corrections Quarter Dome With Frame

### Cleaning Guides:

- ▶ Acrylic Mirror
- ▶ Stainless Steel Mirror
- ▶ Polycarbonate Mirror

### DuraVision™ Mirror Systems

Find our more about the great range of DuraVision Mirror Systems at our website...



[www.duravision.net](http://www.duravision.net)