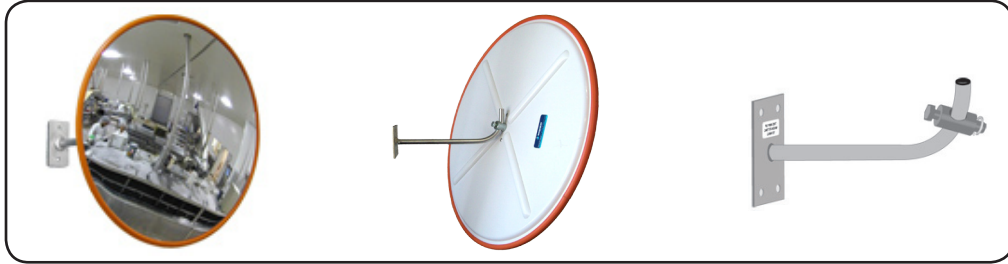


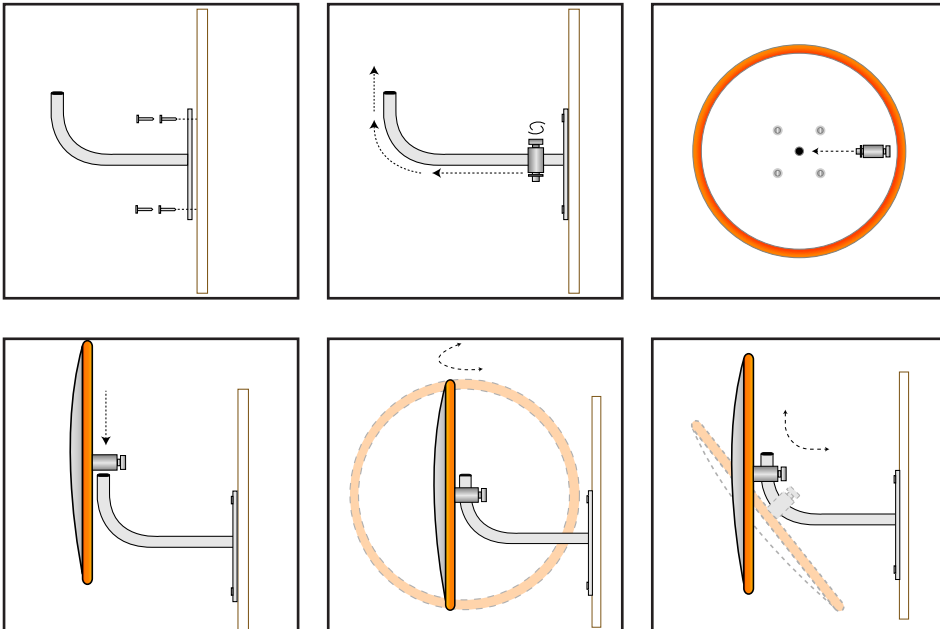


DuraVision™ Convex Mirror Installation Guide:



Food Processing V-Series

1. Decide the appropriate place to site the mirror to give maximum vision.
2. Fix J-Bracket to wall or ceiling using suitable fixing hardware (ie: screws, bolts). Allowing enough room to get the mirror on to the J-Bracket.
3. Thread adaptor into the back of the mirror
4. Slide the adaptor and mirror over the J-Bracket and adjust mirror to the desired position.
5. Tighten the locking bolt on the adaptor securely.
6. Remove Protective Film.



Installation Guides:

- ▶ Indoor Standard Convex Mirror
- ▶ Indoor Space Saver Convex Mirror
- ▶ Indoor Ceiling Dome Convex Mirror
- ▶ Indoor Half Dome Convex Mirror
- ▶ Indoor Quarter Dome Convex Mirror
- ▶ Outdoor Heavy Duty Convex Mirror
- ▶ Outdoor De Luxe Convex Mirror
- ▶ Outdoor Pro Series Convex Mirror
- ▶ Inspection Convex Mirrors
- ▶ [Food Processing Convex Mirrors](#)
- ▶ School Mirror Set
- ▶ Corrections Dome With Frame
- ▶ Corrections Half Dome With Frame
- ▶ Corrections Quarter Dome With Frame

Cleaning Guides:

- ▶ Acrylic Mirror
- ▶ Stainless Steel Mirror
- ▶ Polycarbonate Mirror

DuraVision™ Mirror Systems

Find our more about the great range of DuraVision Mirror Systems at our website...



www.duravision.net